

SmartVFD Frame 7 Wiring Diagrams and Dimensional Drawings

SPECIFICATION DATA

SmartVFD Frame Size 7
460 Vac: 50-75 HP
208/230 Vac: 25-40 HP

CONTENTS

SmartVFD Frame 7 Wiring Diagrams	2
Frame 7, Fused Disconnect Wiring Diagrams	2
Frame 7, 2 Contactor Wiring Diagrams	3
Frame 7, 3 Contactor Wiring Diagrams	4
Frame 7, 3 Contactor Auto-bypass Wiring Diagrams	5
SmartVFD Frame 7 Dimensional Diagrams	6
Frame 7 NEMA 1: Disconnect Only and 2 Contactor Dimensional Drawings	6
Frame 7 NEMA 1: 3 Contactor & 3 Contactor with Auto-bypass Dimensional Drawings	7
Frame 7 NEMA 12: 2 Contactor and 3 Contactor	8
Frame 7 NEMA 3R: 2 Contactor, 3 Contactor, 3 Contactor with Auto-Bypass	9



SMARTVFD FRAME 7 WIRING DIAGRAMS AND DIMENSIONAL DRAWINGS

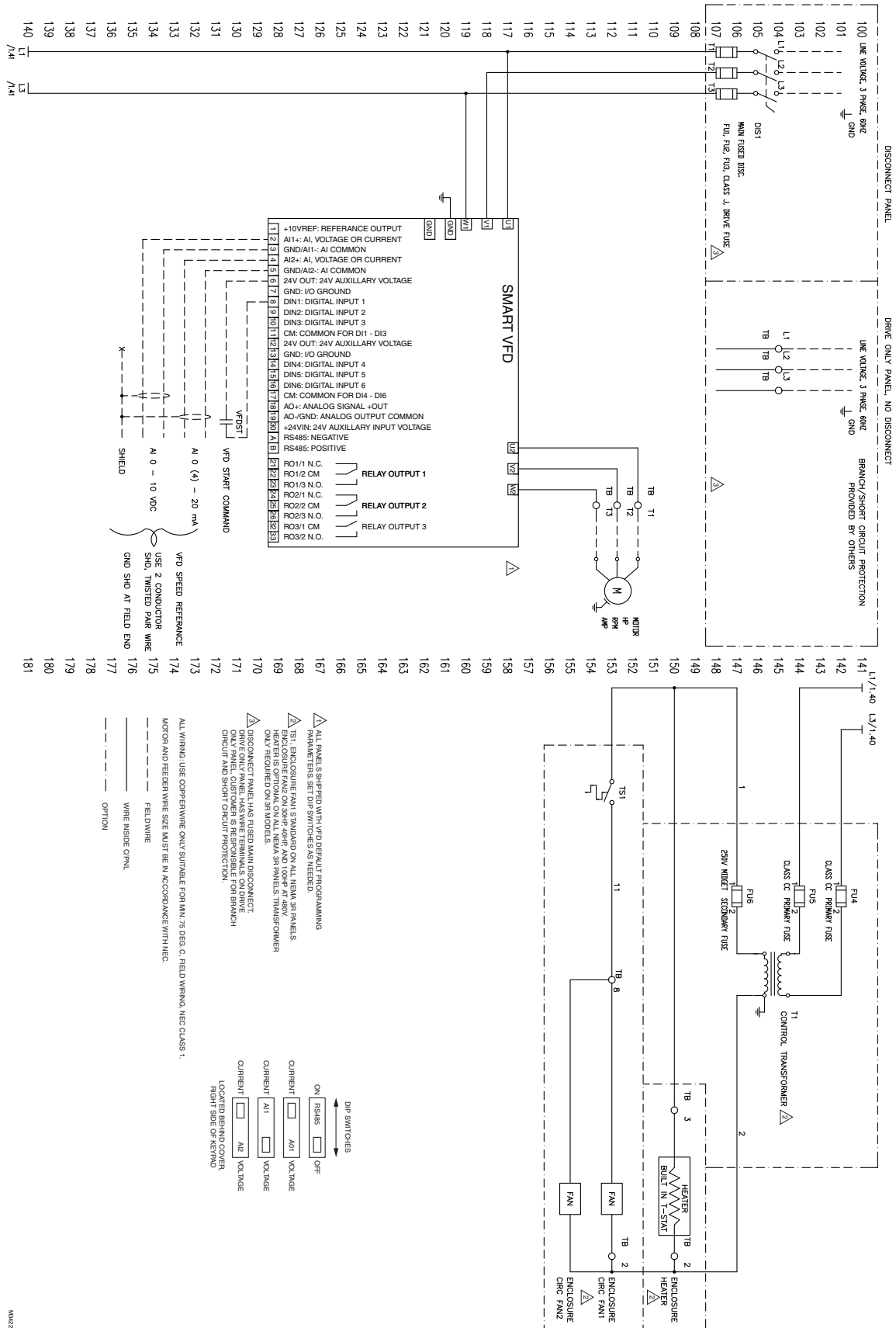
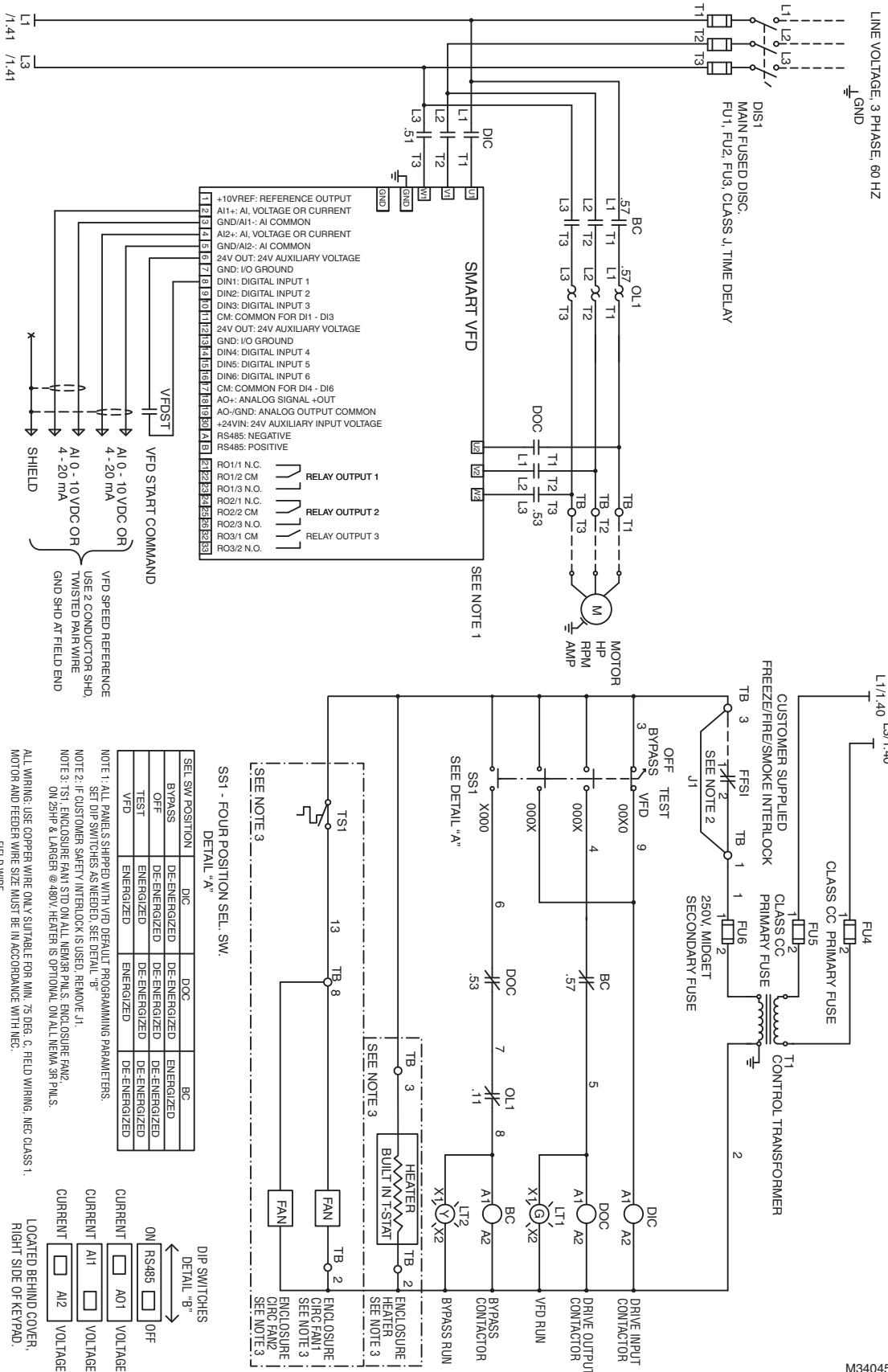


Fig. 1. Frame 7, Fused Disconnect Wiring Diagrams

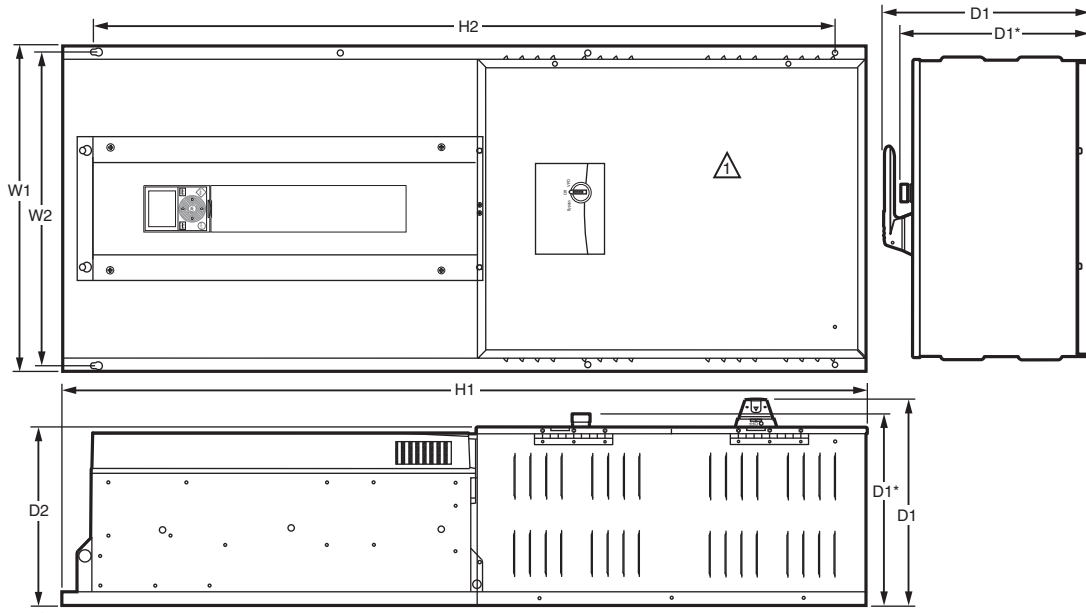
SMARTVFD FRAME 7 WIRING DIAGRAMS AND DIMENSIONAL DRAWINGS



M34045

Fig. 3. Frame 7, 3 Contactor Wiring Diagram

SMARTVFD FRAME 7 WIRING DIAGRAMS AND DIMENSIONAL DRAWINGS

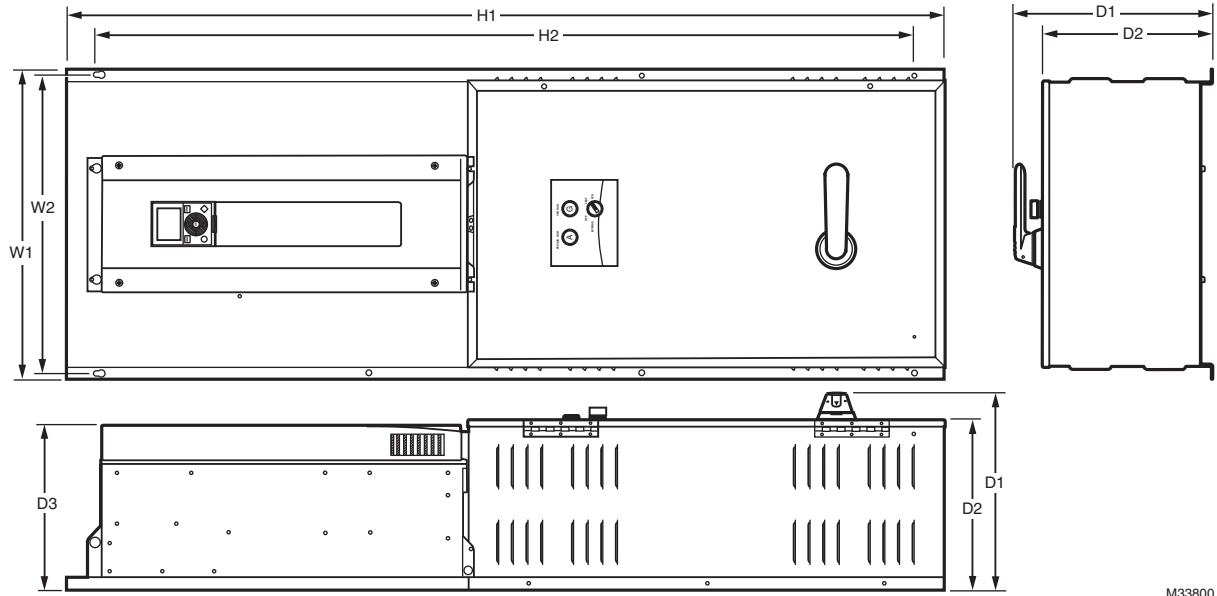


⚠ TOP VIEW IS TWO CONTACTOR ONLY WITHOUT A HANDLE. SIDE VIEWS SHOW DISCONNECT ONLY WITH A HANDLE.

M33799

Frame Size	HP and Voltage		Configuration	Dimensions						Weight
	208/230 Vac	460Vac		W1	W2	H1	H2	D1	D2	
7	25HP	50HP	Disconnect	20.84	20.09	51.57	47.5	13.28	11.44	130
* depth of 2 CONT only			2-Contractor	20.84	20.09	51.57	47.5	*12.28	11.44	130
7	30HP	60HP	Disconnect	20.84	20.09	51.57	47.5	13.28	11.44	141
			2-Contractor	20.84	20.09	51.57	47.5	*12.28	11.44	141
7	40HP	75HP	Disconnect	20.84	20.09	51.57	47.5	13.28	11.44	149
			2-Contractor	20.84	20.09	51.57	47.5	*12.28	11.44	149

Fig. 5. Frame 7 NEMA 1: Disconnect only and 2 Contactor Dimensional Drawings.

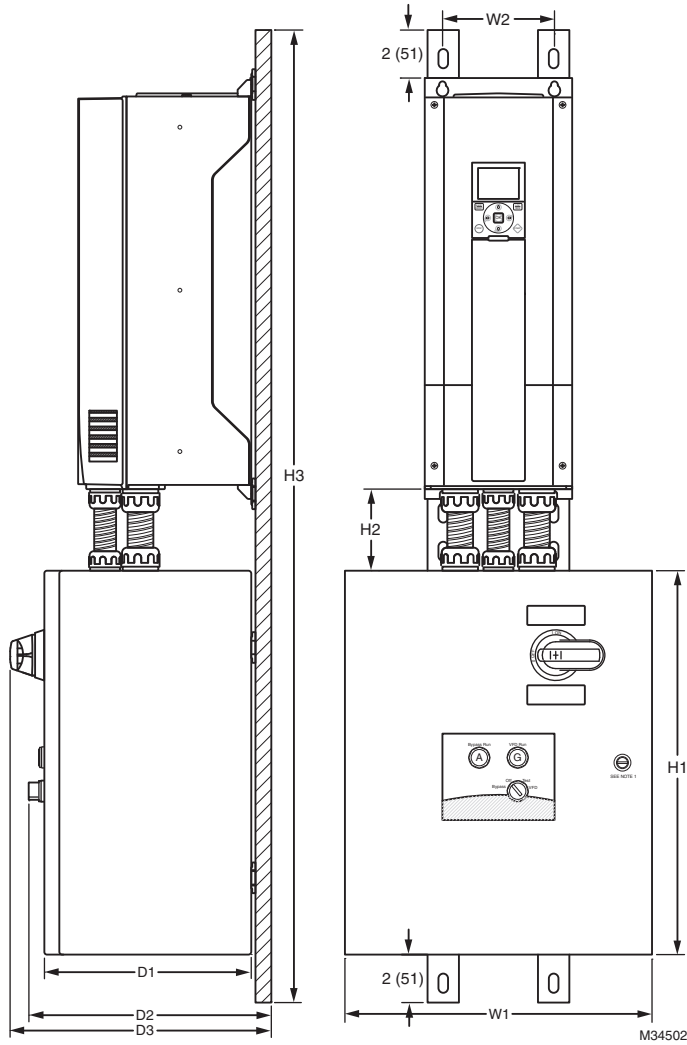


M33800

Frame Size	HP and Voltage		Configuration	Dimensions							Weight Lb.
	208/230	460Vac		W1	W2	H1	H2	D1	D2	D3	
7	25HP	50HP	3-Contractor	20.84	20.09	59	55	13.28	11.44	11.08	135
			3-Contractor with Auto-Bypass	20.84	20.09	59	55	13.28	11.44	11.08	135
7	30HP	60HP	3-Contractor	20.84	20.09	59	55	13.28	11.44	11.08	150
			3-Contractor with Auto-Bypass	20.84	20.09	59	55	13.28	11.44	11.08	150
7	40HP	75HP	3-Contractor	20.84	20.09	59	55	13.28	11.44	11.08	170
			3-Contractor with Auto-Bypass	20.84	20.09	59	55	13.28	11.44	11.08	170

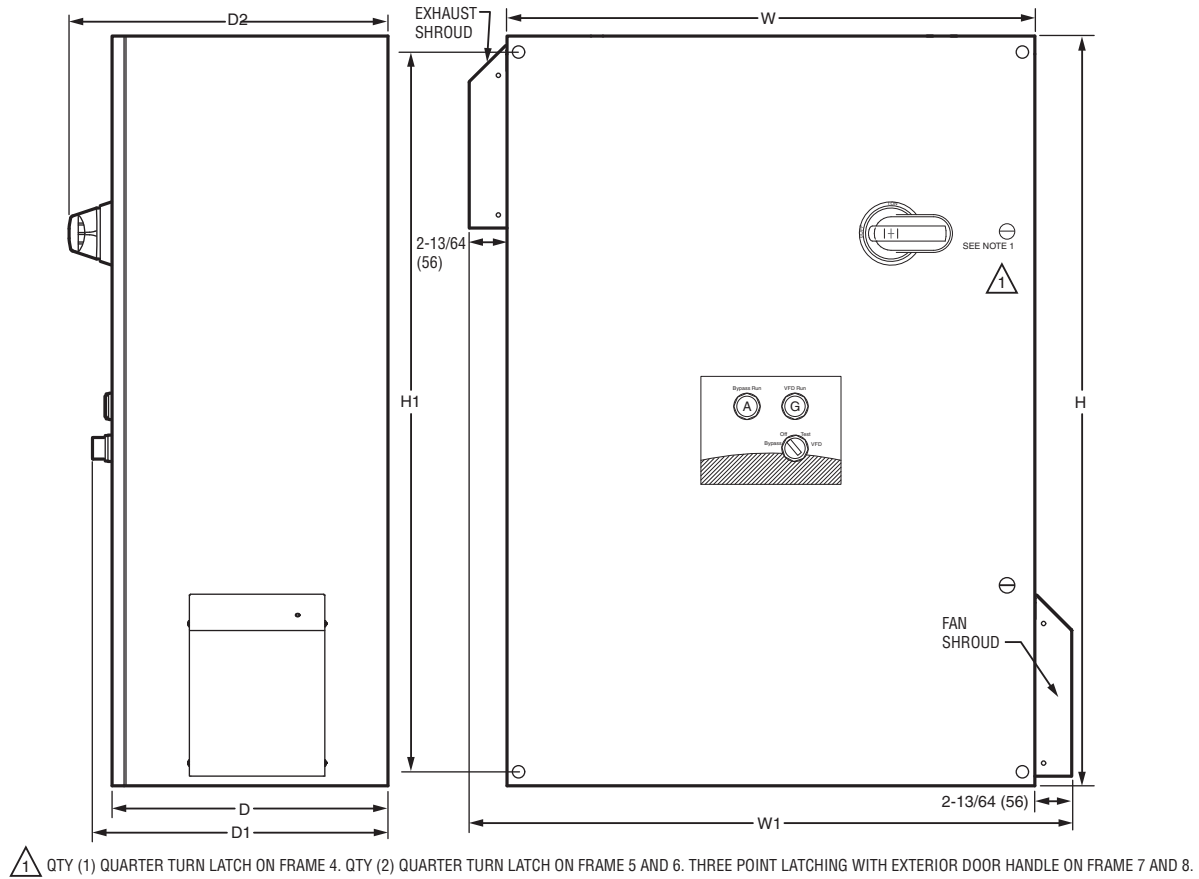
Fig. 6. Frame 7 NEMA 1: 3 Contactor and 3 Contactor with Auto-bypass Dimensional Drawings.

SMARTVFD FRAME 7 WIRING DIAGRAMS AND DIMENSIONAL DRAWINGS



Frame Size	HP and Voltage		Configuration	Dimensions							Weight (Lbs.)	
	208/230 Vac	460Vac		H1	H2	H3	W1	W2	D1	D2*		D3
7	25HP	50HP	Disconnect Only	16	5	50.5	16	7.5	10	11.5	13.5	145
	30HP	60HP										160
	40HP	75HP										175
7	25HP		2-Contactor 3-Contactor 3-Contactor with Auto-Bypass	24	5	58.5	20	7.5	10	11.5	13.5	160
	30HP											175
	40HP											200
		50HP										150
		60HP										165
		75HP										193

Fig. 7. Frame 7 NEMA 12, Disconnect Only, 2 Contactor, 3 Contactor and 3 Contactor with Auto-Bypass.



M34503

Frame Size	HP and Voltage		Configuration	Dimensions						Weight (Lbs.)
	208/230 Vac	460Vac		H	H1	W	W1	D	D2	
7	25HP, 30HP, 40HP	50HP, 60HP, 75HP	Disconnect Only	48.0	46.5	24.0	28.5	12.0	14.0	149
7	25HP, 30HP, 40HP	50HP, 60HP, 75HP	2-Contactor	48.0	46.5	24.0	28.5	12.0	12.5	185
7	25HP, 30HP, 40HP	50HP, 60HP, 75HP	3-Contactor	48.0	46.5	36.0	40.5	12.0	14.0	193
7	25HP, 30HP, 40HP	50HP, 60HP, 75HP	3-Contactor with Auto-Bypass	48.0	46.5	36.0	40.5	12.0	14.0	193

* Add 5 in. to W1 dimensions for each shroud.

Fig. 8. Frame 7 NEMA 3R: Disconnect Only, 2 Contactor, 3 Contactor and 3 Contactor with Auto-Bypass.

By using this Honeywell literature, you agree that Honeywell will have no liability for any damages arising out of your use or modification to, the literature. You will defend and indemnify Honeywell, its affiliates and subsidiaries, from and against any liability, cost, or damages, including attorneys' fees, arising out of, or resulting from, any modification to the literature by you.

Automation and Control Solutions

Honeywell International Inc.

Honeywell

© U.S. Registered Trademark
© 2013 Honeywell International Inc.
63-1374—01 M.S. 02-13
Printed in United States